

Elmasonic Accessory - Inserts

Acid resistant insert tray

- for cleaning with acidic chemicals
- consist of deep-drawn polypropylene and are highly resistant to chemicals
- are hung directly into the ultrasonic unit, which is filled with little water (contact liquid) beforehand. The ultrasound is then transferred via the contact liquid into the insert tank filled with working liquid (e.g. acid)
- Lid included



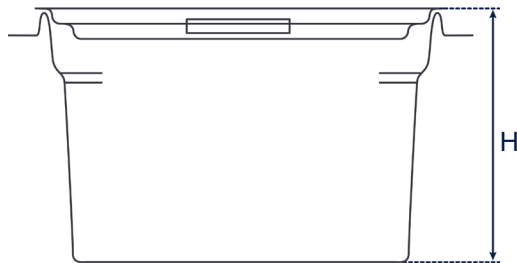
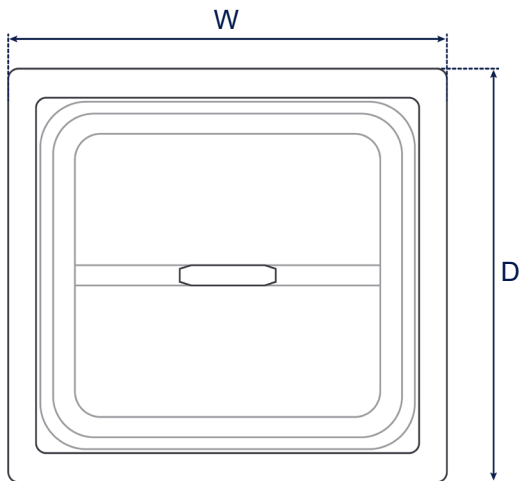
	30	40	60	100	120	180	300	500
Order number	2070890000			2070900000		2070910000	2000008000	2070780000
Tank ext. dim. W / D / H (mm)	300 / 200 / 115			365 / 305 / 170		390 / 370 / 215	570 / 365 / 215	530 / 325 / 205
Tank int. dim. W / D / H (mm)	195 / 95 / 110			250 / 190 / 165		270 / 245 / 210	440 / 240 / 210	480 / 275 / 200
Recom. op. capacity V _a (l)	1,3			5,8		11,0	19,0	18,3
Suitable for	30	40	60	100	120	180	300	500
• Elmasonic Easy	•	•	•	•	•	•	•	
• Elmasonic Select	•	•	•	•	•	•	•	•
• Elmasonic P	•		•		•	•	•	

Elmasonic Accessory - Inserts

Acid resistant insert tray

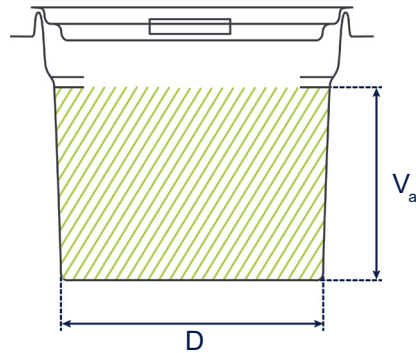
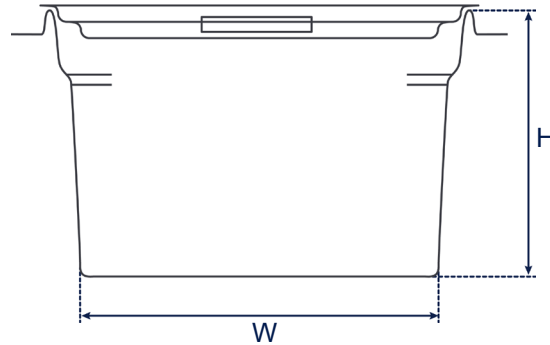
Dimension definition

Tank outer dimensions



Tank internal dimensions

V_a : recommended operating capacity of the cleaning tank
(The actual operating capacity depends on the load.)



The drawings are meant as a visualization aid and are not true to scale.

Technical specifications serve as orientation values and are subject to tolerances due to production and manufacturing. Proper operation can only be guaranteed when using original Elma accessories.