



Technical data sheet for dish-shaped Dewar flasks type from SCH 6 -33 CAL

Area of application

- laboratory technique
- medicinal technique
- Biotechnology
- for liquid or solid medias and solid matters (LN2 oder CO2)

Features of performance

- reliably and economically
- Dewar flasks according to DIN EN ISO 16496
- glass material according to ISO 3585
- nominal capacity from 80ml to 5,3 litres
- protective casing made of stucco aluminium



Dewar flask SCH 9 CAL

Description of complete flasks

Types and accessories

CAL = protective casing out of stucco aluminium

Temperature ranges

- glass refill from -200°C to + 150°C, for a short time 200°C
- casing with mounting rubber and Latizell buffer from -10°C to + 60°C

Pressure range

- pressure - less

Description of glass Dewar flask

Material

- borosilicate glass 3.3 ISO 3585

Chemical characteristics

- hydrolytic resistance: according to ISO 719 (98°C)
- hydrolytic resistance: according to ISO 720 (121°C)
- acid resistance: according to ISO 1776
- alkaline resistance: according to ISO 695-A2

Physical characteristics

- linear expansion coefficient: $3,3 \times 10^{-6}$ 1/K (in between 20-300°C)
- density: 2,23 g/cm³
- specific thermal capacity: 910 J/kg K
- transformation temperature: 525°C

Vacuum

- $> 5 \times 10^{-6}$ mbar

Silvering

- fully silvered

KGW -ISOTHERM

Karlsruher Glastechnisches Werk
76185 Karlsruhe Gablonzerstraße 6
Tel: 0721 95897-0 Fax: 0721 95897-77
E-Mail: info@KGW-ISOTHERM.COM
Internet: www.KGW-ISOTHERM.COM



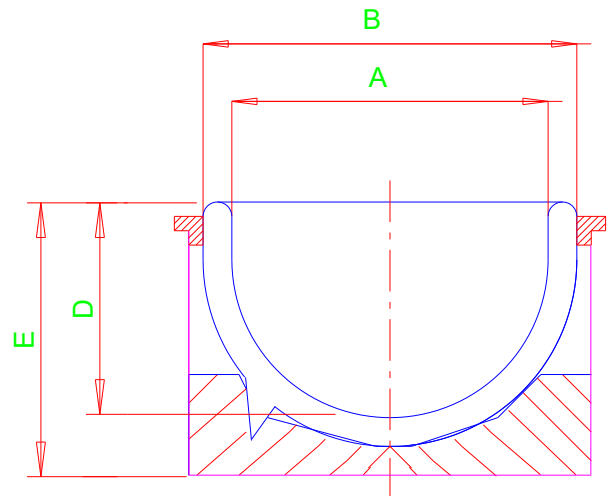
Technical data sheet for dish-shaped Dewar flasks type from SCH 6 -33 CAL

Special types

- Dewar flask with loosely lied-on lid
- Dewar flasks with stainless steel casing

Safety advises and regulations

- always wear protective glasses and protective gloves
- national regulations for laboratories
- company- internal regulations
- safety regulations for handling with liquid gases



Technische Angaben / Technical Specifications							
Typ	max. Inhalt	A	B	C	D	E	Gewicht
Type	max. Content						Weight
	ca. [ml]	mm	mm	mm	mm	mm	ca. [kg]
SCH 6 CAL	80	67	80	90	40	75	0,2
SCH 9 CAL	120	77	95	110	50	90	0,2
SCH 15 CAL	260	100	120	130	65	110	0,4
SCH 18 CAL	400	110	130	138	70	115	0,5
SCH 20 CAL	800	138	160	170	80	125	0,6
SCH 30 CAL	1600	170	205	215	110	145	1,5
SCH 31 CAL	2700	200	230	238	125	160	2,1
SCH 33 CAL	5300	250	280	292	150	195	3,2

Artikel-Nummern / Article numbers			
Typ	Artikel Nr.	für Rundkolben	mit Inhalt
Type	Article No.	for round bottom flask	with Content
		D.a. [mm]	max. [ml]
SCH 6 CAL	1191	51	50
SCH 9 CAL	1192	64	100
SCH 15 CAL	1193	85	250
SCH 18 CAL	1194	85	250
SCH 20 CAL	1195	105	500
SCH 30 CAL	1196	131	1000
SCH 31 CAL	1197	185	3000
SCH 33 CAL	1198	236	6000