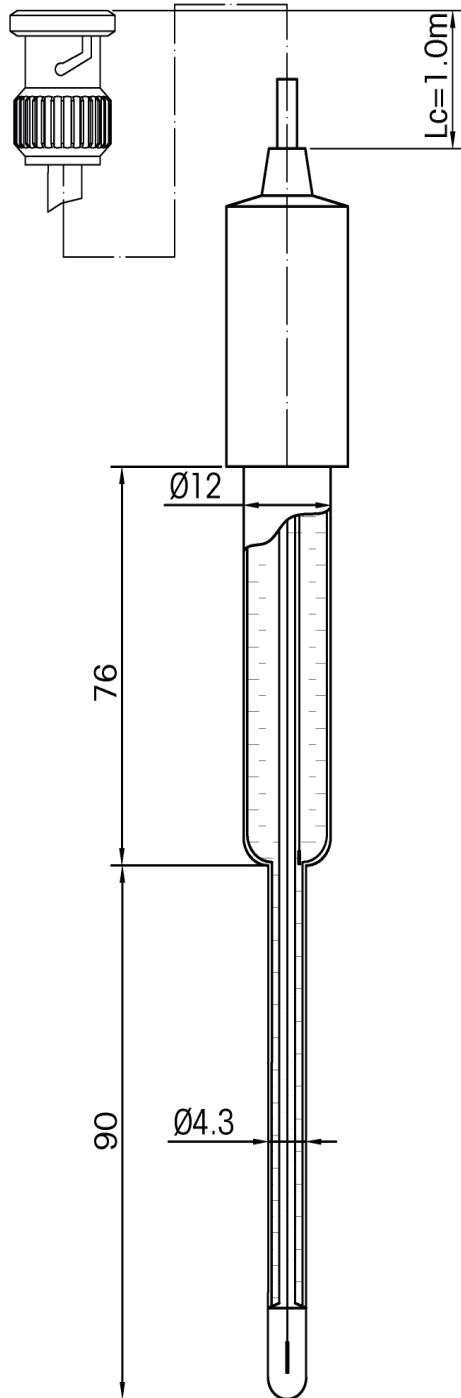


LE422

2-in-1

pH



Order number 30089747

former order number -

Specifications

pH range 0 - 14

zero point (pH) 7.00 ± 0.25

temperature range 0 - 80 °C

temperature probe No

shaft material Glass

membrane glass U glass

membrane resistance < 250 MΩ

reference system Ag/AgCl

reference diaphragm Ceramic

reference electrolyte Gel

bridge electrolyte -

electrode head LE cap

cable length 1.0 m

connector BNC

cell constant (cm⁻¹) -

cell type -

indicating metal -

Storage 3 mol/L KCl

Special features

Suitable for small samples

Scale 1:1