

StereoBlue

HIGHLIGHTS

- Designed for professional use
- Crisp, high resolution images
- Robust and sturdy
- Dual magnifications or Zoom models
- Available with ergonomic rack & pinion, pillar and universal stands
- LED illumination
- Ergonomic carrying grip
- 5 years warranty




● SB.1903

TECHNICAL SPECIFICATIONS

EYEPIECES

Pair of WF10x/20 mm secured eyepieces supplied with eyecups

HEAD

- Binocular or trinocular 45° inclined tubes
 - Diopter adjustment on both eyepieces, except the models SB.1302-P/1402-P and SB.1302 /1402, which have diopter adjustment on one side
 - Interpupillary distance adjustable between 55 mm and 75 mm
 - Trinocular head is supplied with a fixed light path beamsplitter (50:50)
- All optics are anti-fungus treated and anti-reflection coated for maximum light throughput*

DUAL MAGNIFICATION MODELS

- Nosepiece with dual 1x/3x or 2x/4x revolving objectives
- Magnifications 10x/30x or 20x/40x (can be enlarged to 135x)
- Field of view 20 mm/6.6 mm or 10 mm/5.0 mm
- Working distance 100 mm

ZOOM MODELS

- Stereo Zoom 0.7x to 4.5x parafocal objective
- Magnification from 7x to 45x
- Field of view 28.5 mm to 4.4 mm
- Working distance 100 mm

STANDS

- The rack & pinion and pillar stands of the StereoBlue are equipped with ergonomically designed flat bases, complete with two object clamps and Ø 60 mm transparent and black/white stage plate
- The coarse adjustment is equipped with tension control
- The ergonomically designed universal single arm stand is ideal for looking at large samples or working under the microscope
- The stands are alloy metal casted with hardened coating

ILLUMINATION

- With 3 W transmitted and incident LED illuminators which can be used simultaneously or adjusted separately.
- SB.3903 and SB.3903-P models come with a built-in 30 LED ring light for reflexed illuminator and 3 W transmitted illuminator
- SB.1902-U and SB.1903-U are supplied without illumination. Suitable ring illuminators are LE.1973 and LE.1974

PACKAGE CONTENT

- Supplied with power cord, dust cover, eyecups, a spare fuse, Ø 60 mm transparent and black/ white stage plates and user manual
- All packed in a polystyrene box

A spare fuse, Ø 60 mm transparent and black/ white stage plates are not applicable for -U models



● Built-in LED ring light
SB.3903

MAGNIFICATIONS

WORKING DISTANCES AND FIELD OF VIEW SPECIFICATIONS

EYEPIECES - 10X/20 MM

Magnification additional lens	Working distance	Minimum magnification	Maximum magnification	Maximum field of view	Minimum field of view
0,5	170,0	3,5	22,5	57,1	8,9
0,75	114,0	5,3	33,8	38,1	5,9
Standard	100,0	7,0	45,0	28,6	4,4
1,5	48,0	10,5	67,5	19,0	3,0

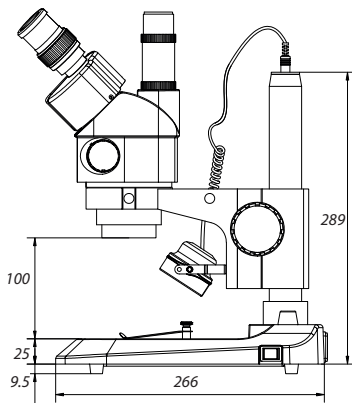
EYEPIECES - 15X/15 MM

Magnification additional lens	Working distance	Minimum magnification	Maximum magnification	Maximum field of view	Minimum field of view
0,5	170,0	5,3	33,8	42,9	6,7
0,75	114,0	7,9	50,6	28,6	4,4
Standard	100,0	10,5	67,5	21,4	3,3
1,5	48,0	15,8	101,3	14,3	2,2

EYEPIECES - 20X/10 MM

Magnification additional lens	Working distance	Minimum magnification	Maximum magnification	Maximum field of view	Minimum field of view
0,5	170,0	7,0	45,0	28,6	4,4
0,75	114,0	10,5	67,5	19,0	3,0
Standard	100,0	14,0	90,0	14,3	2,2
1,5	48,0	21,0	135,0	9,5	1,5

DIMENSIONS



MODELS	Binocular	Trinocular	1x/3x objective	2x/4x objective	0.7 - 4.5x zoom	Rack & pinion stand 3 W LED	Pillar stand 3 W LED	Universal stand	30 LED right light	Weight (kg)
SB.1302	•		•			•				3.3
SB.1302-P	•		•				•			4.2
SB.1402	•			•		•				3.3
SB.1402-P	•			•			•			4.2
SB.1902	•				•	•				3.6
SB.1902-P	•				•		•			4.4
SB.1902-U	•				•			•		15.4
SB.1903		•			•	•				3.7
SB.1903-P		•			•		•			4.5
SB.1903-U		•			•			•		15.5
SB.3903		•			•	•			•	3.7
SB.3903-P		•			•		•		•	4.5



● SB.1302



● SB.1902



● SB.1903-P



● SB.1902-U



● SB.1402-P



● SB.3903

ACCESSORIES AND SPARE PARTS

- SB.6010** Pair of HWF 10x/20 mm eyepieces
- SB.6010-C** WF 10X/20 mm eyepiece with cross-hair
- SB.6010-M** WF 10X/20 mm eyepiece with micrometer scale
- SB.6015** Pair of HWF 15x/15 mm eyepieces
- SB.6015-C** WF 15X/15 mm eyepiece with cross-hair
- SB.6015-M** WF 15X/15 mm eyepiece with micrometer scale
- SB.6020** Pair of HWF 20x/10 mm eyepieces
- SB.6020-C** WF 20/10 mm eyepiece with cross-hair
- SB.6020-M** WF 20/10 mm eyepiece with micrometer scale
- SB.6099** Pair of eyecups
-
- SB.8903** Auxiliary 0,3x lens, only suitable for SB.1902-U and SB.1903-U models. WD 247mm
- SB.8905** Auxiliary 0,5x lens, especially suitable for SB.1902-P, SB.1903- P, SB.1902-U and SB.1903-U models. With rack-and pinion models SB.1902 and SB.1903, the maximum object height is 2 cm. WD 170mm
- SB.8907** Auxiliary 0.75x lens for zoom models WD 114 mm
- SB.8915** Auxiliary 1.5x lens for zoom models WD 48 mm.
Not suitable for SB.39xx models
-
- SB.8950** Protection glass window for StereoBlue
-
- SB.9032** Universal two-arm stand with table clamp without StereoBlue holder(SB.9090)
- SB.9090** StereoBlue head holder
- SB.9040** Darkfield attachment for StereoBlue, only for -S and -P models
-
- SB.9520** Polarization kit for StereoBlue: 360° rotatable round stage with built-in polarization filter (SB.9524) + analyzer in mount to be screwed under the head (SB.9525)
- SB.9524** 360° rotatable round stage with built-in polarization filter
- SB.9525** 360° rotatable analyzer in mount to be screwed under the head of StereoBlue
- SB.9570** Pair of object clamps for stage
-
- SB.9833** C-mount adapter with 0.33x lens for 1/3" cameras.
Only for trinocular models
- SB.9850** C-mount adapter with 0.5x lens for 1/2" cameras.
Only for trinocular models
- SB.9952** Stage plate transparent, Ø 60 mm
- SB.9956** Stage plate black/white, Ø 60 mm
-
- AE.5130** Universal SLR camera adapter with 2x projection lens for 23.2 mm tubes. Need T2 adapter
- AE.5025** T2 adapter for Nikon D digital SLR cameras
- AE.5040** T2 adapter for Canon EOS digital SLR cameras
-
- Other T2 adapters on request*
- AE.1112** Micrometer 76 x 26 mm slide, 50 mm/50 divisions
- PB.5245** Lens cleaning paper, 100 sheets per pack
- PB.5274** Isopropyl alcohol 99% (200 ml)
- PB.5275** Cleaning kit: lens cleaning fluid, lint free lens tissue, brush, air blower, cotton swabs
-
- SB.9983** 3 W LED replacement unit for StereoBlue, incident illumination
- SB.9983-R** 3 W LED replacement unit for StereoBlue, transmitted illumination