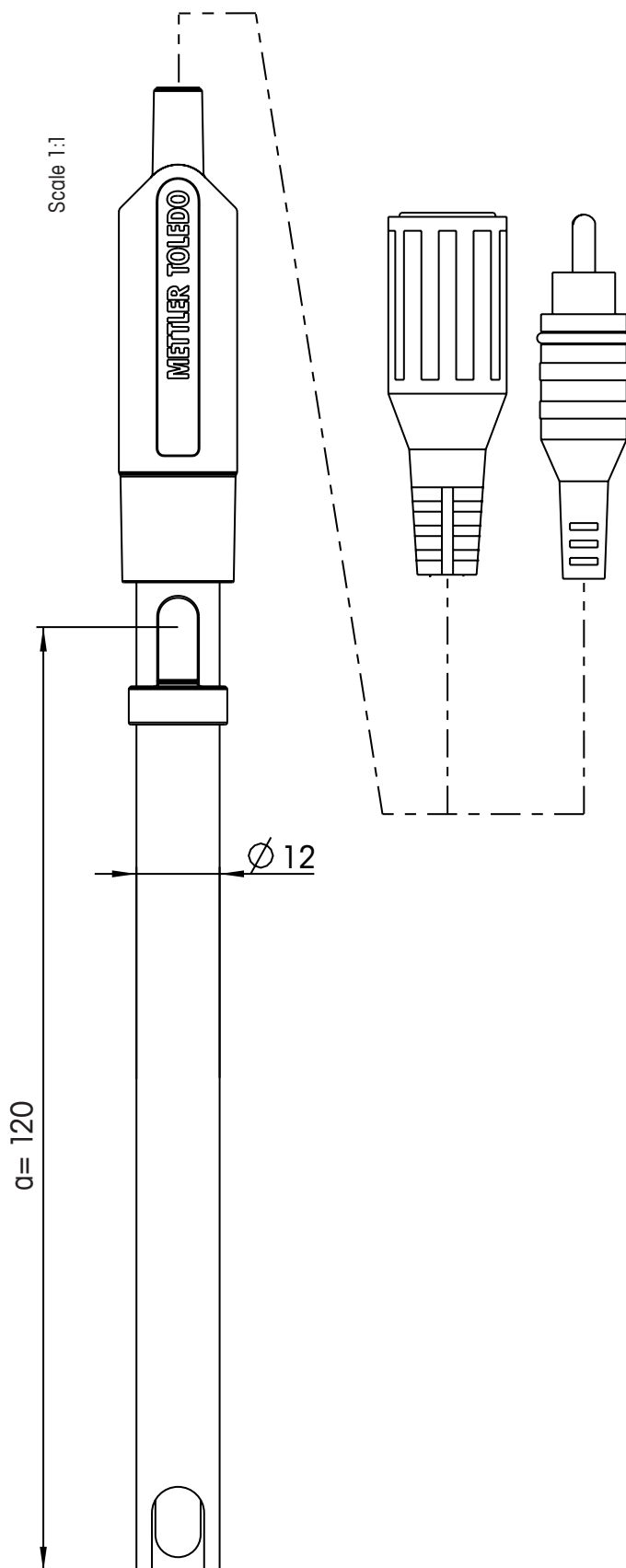


InLab® Water Go

For soft water like surface water, drinking water

pH Ref °C ISM



Sensor type combined pH electrode

Order number 30253098

Specifications

pH range 1...11

zero point (pH) 7.00 ± 0.25

temperature range 0...80 °C

temperature probe NTC 30 kΩ

shaft material polysulfone

membrane glass LoT

membrane resistance < 150 MΩ

reference system ARGENTHAL™

reference diaphragm porous PTFE

reference electrolyte 3 mol/L KCl

bridge electrolyte -

electrode head -

cable length 1.8 m

connector BNC / RCA (Cinch) IP67

cell constant (cm⁻¹) -

cell type -

indicating metal -

Storage

InLab storage solution (30111142)

or 3 mol/L KCl (51350072)