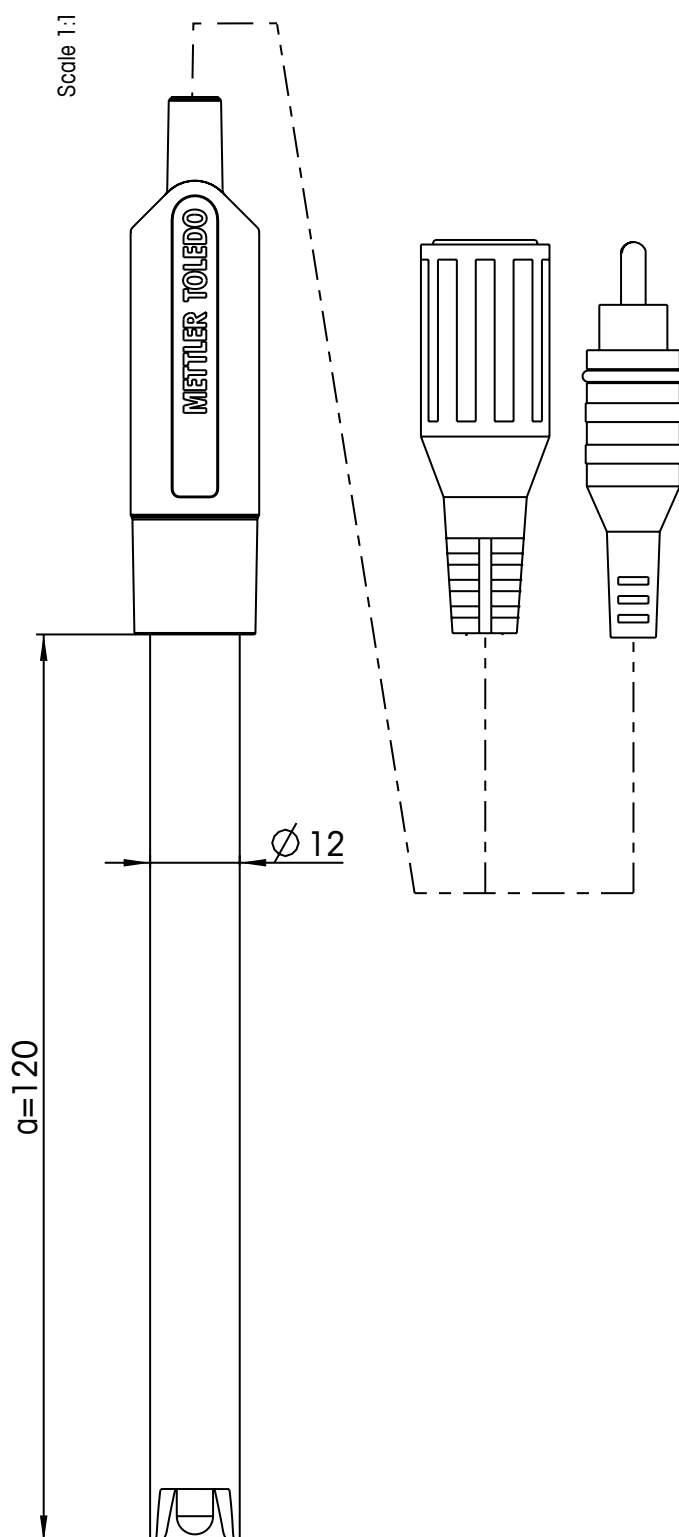


InLab[®] Expert Go-ISM

pH Ref °C ISM



For portable applications in the lab and outdoor;
robust and maintenance-free



Sensor type	combined pH electrode
Order number	51344102 -cable length 1.8 m 51344103 -cable length 5 m 51344104 -cable length 10 m
Specifications	
pH range	0...14
zero point (pH)	7.00 ± 0.25
temperature range	0...100 °C
temperature probe	NTC 30 kΩ
shaft material	PEEK
membrane glass	U
membrane resistance	< 250 MΩ
reference system	ARGENTHAL™
reference diaphragm	double open junction
reference electrolyte	XEROLYT [®] polymer
bridge electrolyte	-
electrode head	-
connector	BNC / RCA (Cinch) IP67
cell constant (cm ⁻¹)	-
cell type	-
indicating metal	-
Storage	
	InLab storage solution (30111142) or FRISCOLYT-B [®] (51340053)