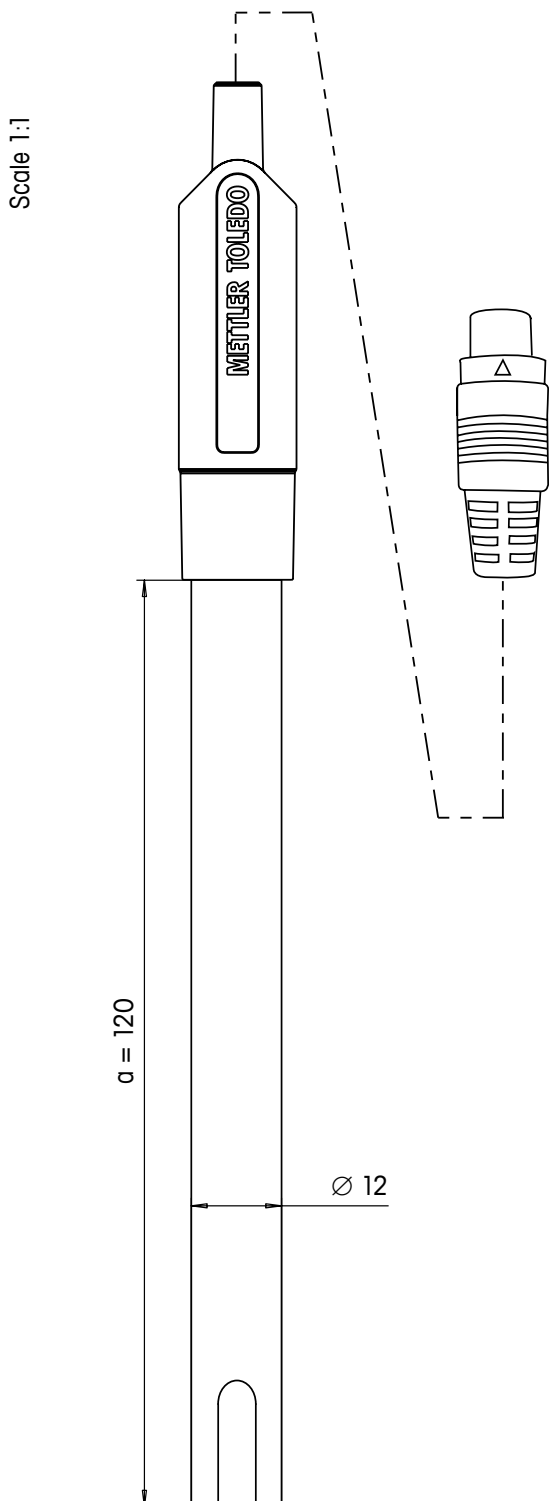


InLab® 731

Cond °C ISM



For general applications like standard and high conductivity samples.



Sensor type	conductivity cell
Order number	51344020 -cable length 1.2 m 51344022 -cable length 2 m
Specifications	
measuring range	0.01...1000 mS/cm
zero point (pH)	-
temperature range	0...100 °C
temperature probe	NTC 30 k Ω
shaft material	epoxy
membrane glass	-
membrane resistance	-
reference system	-
reference diaphragm	-
reference electrolyte	-
bridge electrolyte	-
electrode head	-
connector	Mini-DIN
cell constant (cm ⁻¹)	0.57
cell type	4 graphite poles
indicating metal	-
Storage	
dry	