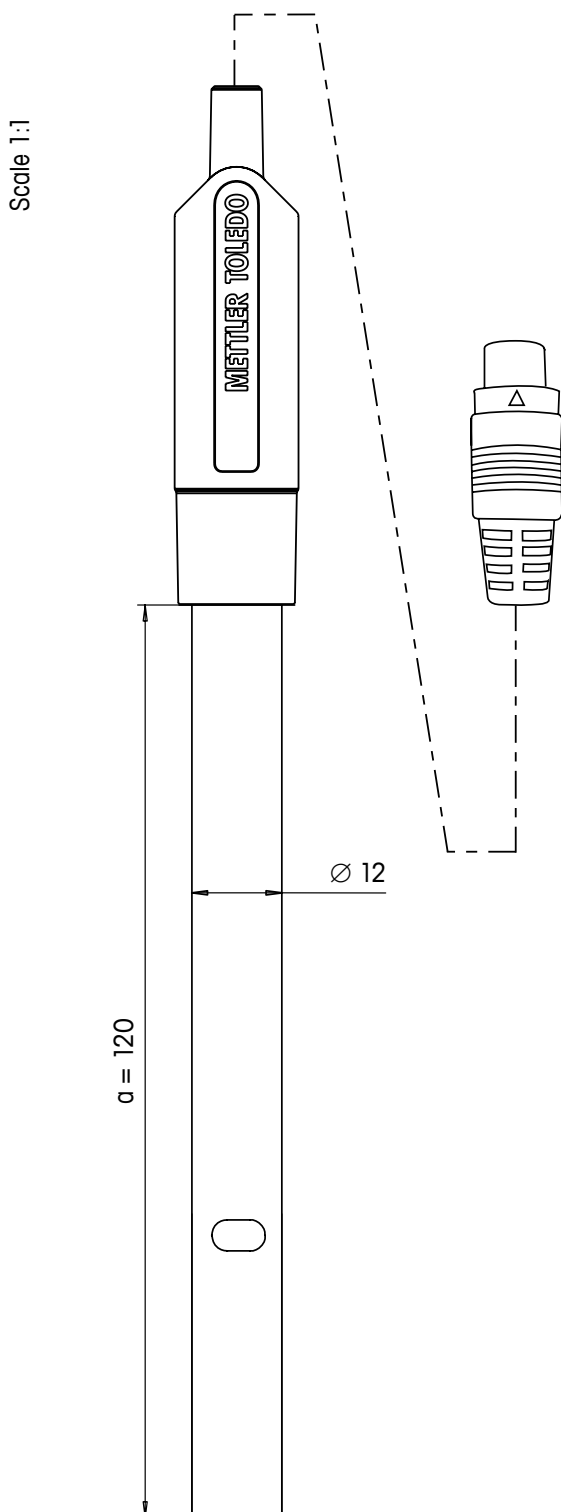


InLab[®] 725

Cond °C ISM



For measurement of Bioethanol
according ABNT NBR 10547.



Sensor type conductivity cell

Order number 30014160

Specifications

measuring range 0.1...500 $\mu\text{S}/\text{cm}$

zero point (pH) -

temperature range 0...100 °C

temperature probe NTC 30 k Ω

shaft material glass

membrane glass -

membrane resistance -

reference system -

reference diaphragm -

reference electrolyte -

bridge electrolyte -

electrode head -

cable length 1.2 m

connector Mini-DIN

cell constant (cm^{-1}) 0.1

cell type 2 platinum poles

indicating metal -

Storage

dry